

Conprofe Engraving & Milling Centers



URB-400

URB-600

URB Series



Technical Data



Item	Unit	URB-400	URB-600
Travel			
XY/Z-Axis Travel	mm	400×400×150	600×500×300
Spindle Nose to Table	mm	185-335	130-430
Worktable			
Dimensions	mm	400×400	620×560
Max. Load	kg	100	300
T-Slot (No.xWidthxDistance)	pcs×mm×mm	5×12×80	7×12×80
Spindle			
Diameter	mm	Φ 100	Φ 100
Max. Speed (Short-Duration)	rpm	40,000	40,000
Max. Speed (Long-Duration)	rpm	32,000	32,000
Motor Power (Rated)	kW	6	6
Motor Torque (Rated)	Nm	2.7	2.7
Spindle Taper	-	HSK-E32	HSK-E32
Ultrasonic	-	Standard	Standard
Ultrasonic + MQL	-	Optional	Optional
Feed Rate			
XY/Z-Axis Rapid Speed	m/min	15/15/15	15/15/15
XY/Z-Axis Max. Feed	m/min	10/10/10	10/10/10
XY/Z-Axis Motor Power	kW	0.75/0.75/0.75	0.85/0.85/0.85
Accuracy			
XY/Z-Axis Positioning Accuracy	mm	0.005	0.005
XY/Z-Axis Repeatability	mm	0.003	0.003
Tool Magazine			
Tool Holding Capacity	No. of Tools	Non-Ultrasonic: 11	Non-Ultrasonic: 15
		Ultrasonic: 11	Ultrasonic: 15
Max. Tool Diameter (Full)	mm	60	130
Max. Tool Length	mm	75	80
Max. Tool Weight	kg	3	3
Type	-	Umbrella Type	Umbrella Type
Miscellaneous			
Power Supply Voltage	-	Three-Phase AC, 380V/50Hz	Three-Phase AC, 380V/50Hz
Power Capacity	kVA	10	27
Air Pressure	MPa	0.5-0.7	0.5-0.7
Total Air Consumption	L/min	> 100	> 100
Total Weight (incl. Accessories)	kg	2,100	5,000
Machine Size (L×W×H)	mm	1,245×1,750×2,130	1,850×2,100×2,395
Controller			
CNC Controller	-	HNC-918D (Standard)	HNC-918D (Standard)
		SIEMENS 828D-280 (Optional)	SIEMENS 828D-280 (Optional)

Main Configurations

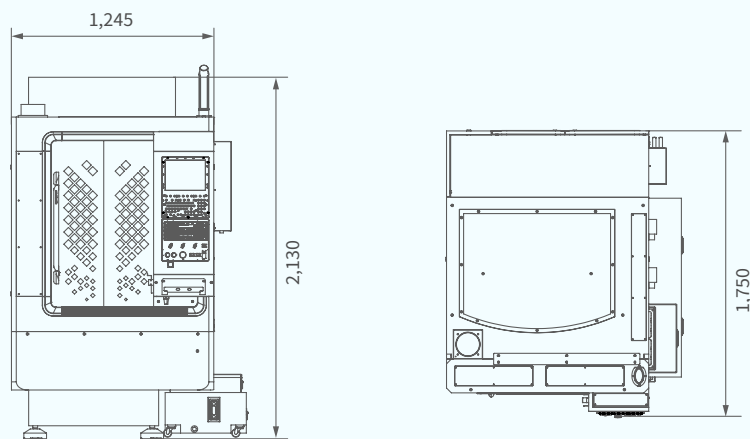
Yes No

	URB-400	URB-600
Standard Configurations		
Coolant System	<input checked="" type="radio"/>	<input checked="" type="radio"/>
Centralized Automatic Lubrication System	<input checked="" type="radio"/>	<input checked="" type="radio"/>
Spindle Chiller	<input checked="" type="radio"/>	<input checked="" type="radio"/>
Handwheel	<input checked="" type="radio"/>	<input checked="" type="radio"/>
Blow Gun	<input checked="" type="radio"/>	<input checked="" type="radio"/>
Electrical Cabinet Heat Exchanger	<input checked="" type="radio"/>	<input checked="" type="radio"/>
LED Work Light	<input checked="" type="radio"/>	<input checked="" type="radio"/>
Three-Color Alarm Light	<input checked="" type="radio"/>	<input checked="" type="radio"/>
Door Safety Interlock	<input checked="" type="radio"/>	<input checked="" type="radio"/>

	URB-400	URB-600
Optional Configurations		
High Precision 3D Probe	<input checked="" type="radio"/>	<input checked="" type="radio"/>
Oil-Mist Collector	<input checked="" type="radio"/>	<input checked="" type="radio"/>
4/5th Axis Rotary Table	<input checked="" type="radio"/>	<input checked="" type="radio"/>
Automatic Door	<input checked="" type="radio"/>	<input checked="" type="radio"/>
Contact Tool Setter	<input checked="" type="radio"/>	<input checked="" type="radio"/>
Ultrasonic Amplitude Measuring Device	<input checked="" type="radio"/>	<input checked="" type="radio"/>
Extended Tool Magazine	ETM-11	ETM-15
5-Axis Simultaneous Machining System (with RTCP Function)	<input checked="" type="radio"/>	<input checked="" type="radio"/>

Floor Plans (Unit: mm)

URB-400



URB-600

